

10 9 8 7 6 5 4 3 2 1

H

NOTES:

- A) BASE MATERIAL: BLACK 70 SDH NEOPRENE
- B) BOLT SPECIFICATIONS:
 1. SCREW TYPE: CARRIAGE BOLT
 2. HEAD STYLE: ROUND HEAD SQUARE NECK
 3. MATERIAL: CARBON STEEL
 4. GRADE: GRADE 2
 5. FINISH: ZINC PLATE CLEAR PER ROHS COMPLIANT
 6. THREAD SIZE: 1/2"-13
 7. THREAD FIT: CLASS 2A
 8. LENGTH: 2-1/2"
 9. THREAD LENGTH: FULLY THREADED

REVISIONS				
REV.	DATE	DESCRIPTION	ECO #	BY
A	3/21/2001	PRODUCTION RELEASE	10591	RKL
B	09-10-08	UPDATE NOTES FOR BOLT SPECIFICATION	12008	SCN

H

G

G

F

F

E

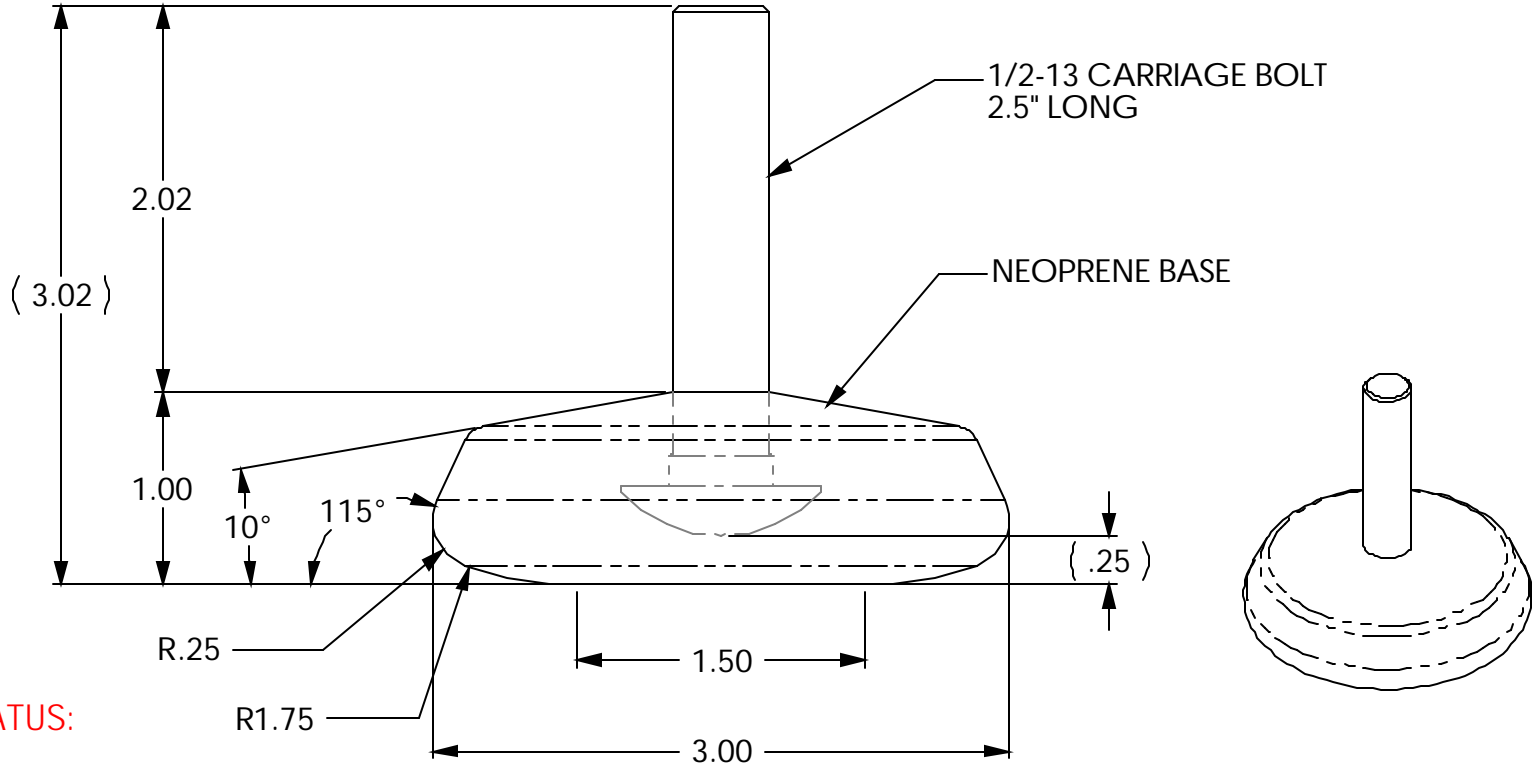
E

D

D

C

C



DOCUMENT STATUS:
RELEASE

B

B

NOTICE OF PROPRIETARY INFORMATION

THIS DOCUMENT SHALL NOT BE REPRODUCED NOR SHALL THE INFORMATION CONTAINED HEREIN BE USED BY OR DISCLOSED TO OTHER EXCEPT AS EXPRESSLY AUTHORIZED BY UNISEN INC. D.B.A. STAR TRAC.

MATERIAL		UNLESS OTHERWISE SPECIFIED DIMENSIONS ARE IN INCHES. TOLERANCES ARE: DECIMALS X. = ±.13 X.X = ±.05 X.XX = ±.03 X.XXX = ±.010		UNISEN, INC. DBA 14410 Myford Road Irvine CA 92606	
FINISH		INITIAL	DATE	STARTRAC PART NO	REV
VENDOR:		DRAWN	FJM	11/20/2000	140-3200
P/N:		CHECKED			B
		APPROVED			TITLE
					FEET, 1/2-13 SCREW, 3.0" BASE
			U.O.M.	INCH	SCALE: 1:1
					SHEET 1 OF 1
					SHEET SIZE: A

A

A

THIRD ANGLE PROJECTION



10 9 8 7 6 5 4 3 2 1